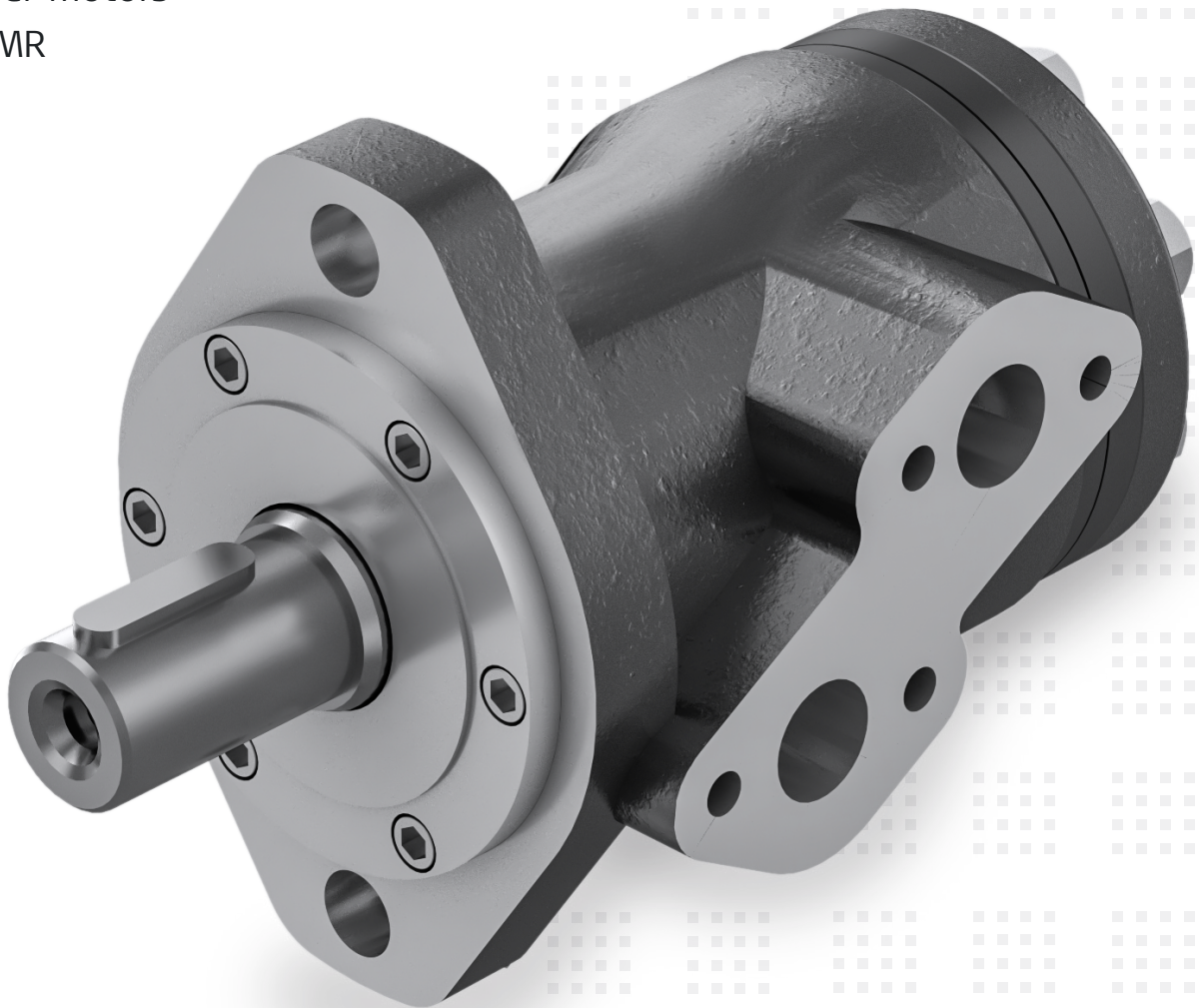


forward products 

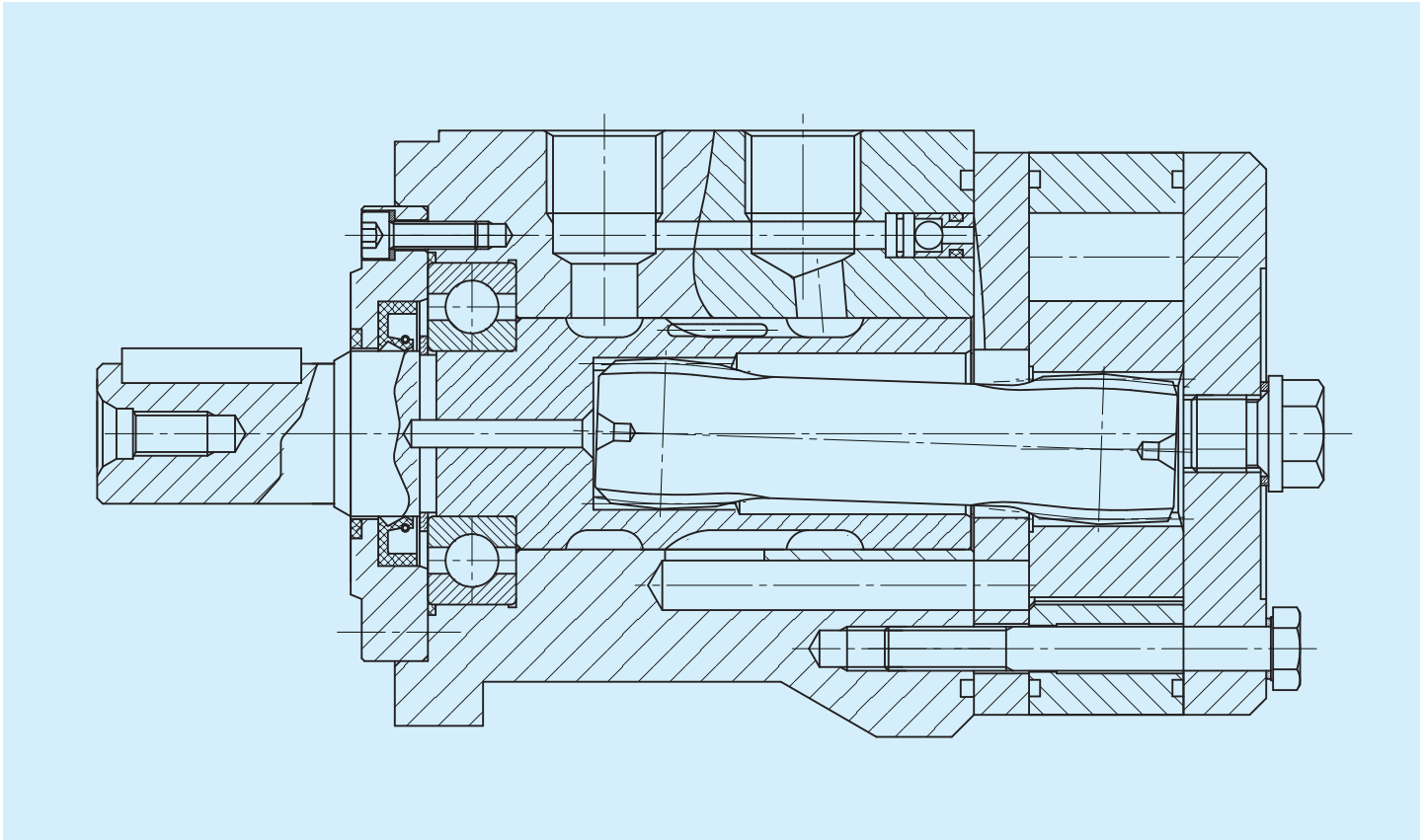
# Orbital motors

Geroller motors

Type MR



Before use, carefully read the general instructions for use of orbital motors.



Compact geroller motor with radial distribution and ball or roller bearings, suitable for use where high efficiency, smooth rotation and good starting torque are required.

	Displacement		Pressure			Torque			Rotational speed min-1	Max. flow rate l/min	Max. output power kW	Weight kg
	cm <sup>3</sup> /rev	Continuous bar	Intermittent bar	Peak bar	Continuous Nm	Intermittent Nm	Peak Nm					
<b>050</b>	51.7	175	200	220	110	135	144	10-775	40	8.9	6.9	
<b>080</b>	80.5	175	200	220	189	216	225	10-750	60	14.8	7.3	
<b>100</b>	100.5	175	200	220	236	270	281	10-600	60	14.8	7.4	
<b>125</b>	126.3	175	200	220	296	338	353	10-475	60	14.8	7.7	
<b>160</b>	160.8	175	200	220	378	433	450	10-375	60	14.8	7.9	
<b>200</b>	200.9	175	190	200	450	486	511	10-300	60	14	8.4	
<b>250</b>	252.6	140	160	180	470	540	579	10-240	60	12	8.9	
<b>315</b>	321.5	120	140	150	485	573	614	10-190	60	9.6	9.4	
<b>400</b>	401.9	100	120	140	500	614	710	10-160	60	8.4	11.4	

Intermittent conditions must not last more than 10% of each minute.  
Peak conditions must not last more than 1% of each minute.

## 050 51.7 cm<sup>3</sup>/rev

Flow rate l/min	Pressure bar								
	50	70	90	100	120	140	160	175	200
5	34 94	44 85	58 77	65 77	75 72	88 50			
10	35 188	45 179	61 167	68 163	79 154	94 137	114 119	119 98	141 77
15	34 285	48 279	62 271	72 263	87 252	100 232	112 213	122 187	142 147
20	34 379	46 377	60 367	68 363	82 348	95 332	111 304	125 272	138 207
30	32 578	45 571	59 563	66 556	79 544	94 533	108 502	121 467	136 365
40	30 762	44 760	57 755	65 752	78 740	91 726	107 702	120 678	132 584
45	29 858	40 855	56 851	64 847	77 837	89 817	104 798	120 772	119 669
50	25 952	38 942	52 927	59 908	72 882	84 854	98 834	113 803	98 761

Torque Nm  
Rotational speed min<sup>-1</sup>

Pressure  
Continuous

Pressure  
Intermittent

## 080 80.5 cm<sup>3</sup>/rev

Flow rate l/min	Pressure bar								
	50	70	90	100	120	140	160	175	200
5	48 61	58 58	84 52	106 46	129 40				
10	50 122	74 116	96 112	106 108	126 106	145 99	170 60		
20	54 243	76 239	100 231	109 219	131 206	152 192	174 176	193 152	221 140
30	50 362	72 358	96 356	104 350	128 349	148 335	172 325	191 300	222 230
40	45 484	70 480	95 478	104 476	125 470	146 468	171 440	188 438	217 322
50	41 610	68 608	91 606	101 603	122 600	145 598	168 550	186 520	215 444
60	35 726	65 723	88 720	97 718	120 710	142 700	164 698	182 680	212 590
70	30 845	58 834	81 820	93 802	114 789	136 767	158 754	175 730	201 662
75	19 910	48 895	76 881	88 867	108 852	132 830	151 806	168 787	182 717

Torque Nm  
Rotational speed min<sup>-1</sup>

Pressure  
Continuous

Pressure  
Intermittent

## 100 100.5 cm<sup>3</sup>/rev

Flow rate l/min	Pressure bar								
	50	70	90	100	120	140	160	175	200
5	64 49	90 48	118 46	134 42	154 38				
10	65 96	93 94	122 93	134 91	155 80	185 60	214 48		
20	62 192	93 188	121 184	135 178	153 171	186 168	215 158	225 146	267 131
30	61 296	90 294	118 290	130 290	150 288	185 282	213 270	227 258	270 225
40	58 387	88 380	115 369	126 361	147 356	184 348	211 338	224 320	265 305
50	56 484	86 479	108 472	123 463	146 452	183 445	209 428	221 418	259 392
60	54 583	84 567	109 569	121 555	145 540	181 536	207 529	218 527	255 482
70	46 680	80 872	97 662	110 650	138 640	178 635	201 620	212 606	234 582
75	32 728	75 720	90 710	106 695	130 681	169 667	195 650	204 634	212 611

Torque Nm  
Rotational speed min<sup>-1</sup>

Pressure  
Continuous

Pressure  
Intermittent

## 125 126.3 cm<sup>3</sup>/rev

Flow rate l/min	Pressure bar								
	50	70	90	100	120	140	160	175	200
5	74 37	106 32	140 27	163 21					
10	81 78	114 77	152 74	172 59	200 45	220 29	250 20		
20	80 157	114 156	150 154	170 151	200 146	221 142	254 120	292 114	332 102
30	78 232	112 230	149 228	169 222	198 220	220 218	252 199	290 178	330 152
40	77 312	111 311	147 307	168 300	196 298	218 284	250 278	288 262	325 221
50	62 391	105 388	143 384	165 380	195 372	223 362	254 346	287 341	321 281
60	52 470	98 468	136 464	160 459	191 448	220 434	250 428	282 420	313 384
70	41 548	90 544	130 540	156 541	187 538	215 535	242 530	278 514	302 443
75	32 586	79 583	126 578	148 570	180 560	208 546	234 532	262 527	298 486

Torque Nm  
Rotational speed min<sup>-1</sup>

Pressure  
Continuous

Pressure  
Intermittent

## 160 160.8 cm<sup>3</sup>/rev

Flow rate l/min	Pressure bar								
	50	70	90	100	120	140	160	175	200
5	100 30	142 26	188 21	207 19					
10	104 61	146 59	191 55	211 49	245 42	282 32	330 25		
20	102 122	148 119	194 114	218 109	251 105	290 100	338 92	368 86	430 78
30	96 183	141 181	186 179	215 176	248 166	288 158	335 144	364 139	421 121
40	87 244	136 240	180 238	206 233	248 229	286 219	330 200	358 189	412 162
50	70 304	126 298	172 291	198 287	238 281	278 274	320 262	353 257	404 231
60	58 370	111 367	168 359	191 354	232 346	274 338	319 333	350 329	394 289
70	47 426	104 422	160 418	190 415	228 403	267 393	301 381	338 365	384 351
75	34 457	91 450	150 442	180 432	221 426	261 418	291 405	328 398	373 369

Torque Nm  
Rotational speed min<sup>-1</sup>

Pressure  
Continuous

Pressure  
Intermittent

## 200 200.9 cm<sup>3</sup>/rev

Flow rate l/min	Pressure bar								
	50	70	90	100	120	140	160	175	190
5	129 24	176 22	230 18	256 13					
10	133 49	182 47	236 45	261 43	310 38	352 33	398 24		
20	131 98	181 96	232 94	256 92	308 88	354 83	400 74	444 64	486 56
30	126 146	176 141	224 138	252 135	308 128	353 123	398 111	442 102	474 92
40	112 195	168 190	224 183	248 178	304 170	350 162	393 158	440 151	461 127
50	94 244	154 240	220 236	243 230	294 224	343 222	392 220	438 219	449 197
60	78 293	144 289	213 281	236 276	287 271	339 269	389 265	436 263	437 243
70	67 341	135 338	206 334	228 328	277 325	336 321	375 318	420 300	425 272
75	58 366	125 361	197 357	220 353	270 346	321 342	360 333	401 324	418 315

Torque Nm  
Rotational speed min<sup>-1</sup>

Pressure  
Continuous

Pressure  
Intermittent

## 250 252.6 cm<sup>3</sup>/rev

Flow rate l/min	Pressure bar						
	50	70	90	100	120	140	160
5	172 19	240 18	300 17	338 16			
10	173 39	242 37	308 34	340 30	401 25		
20	170 78	238 76	301 74	339 72	402 69	469 61	544 52
30	160 116	231 114	298 111	330 109	398 103	457 95	521 84
40	141 155	221 152	298 149	327 145	394 140	448 132	501 122
50	122 194	206 190	287 186	321 181	382 177	441 172	489 158
60	109 232	199 230	286 224	320 219	375 215	440 211	476 198
70	86 272	176 269	262 266	298 260	353 257	420 252	463 243
75	60 291	163 287	254 282	286 278	345 272	414 268	448 252

Torque Nm  
Rotational speed min<sup>-1</sup>

Pressure  
Continuous

Pressure  
Intermittent

## 315 321.5 cm<sup>3</sup>/rev

Flow rate l/min	Pressure bar						
	30	50	70	90	100	120	140
5	110 14	199 12					
10	108 31	190 30	272 29	360 28	400 26	482 23	542 20
20	110 61	196 60	279 59	356 57	398 55	485 52	544 49
30	106 91	186 90	270 89	355 86	390 84	481 81	530 77
40	100 122	179 120	262 117	350 114	382 110	475 107	516 98
50	92 153	175 151	258 149	346 147	373 144	468 138	501 130
60	90 184	168 182	250 180	342 178	372 176	456 174	498 161
70	77 214	158 210	241 208	333 205	358 203	442 198	473 190
75	66 230	132 228	212 221	303 218	332 210	432 201	458 192

Torque Nm  
Rotational speed min<sup>-1</sup>

Pressure  
Continuous

Pressure  
Intermittent

**400** 401.9 cm<sup>3</sup>/rev

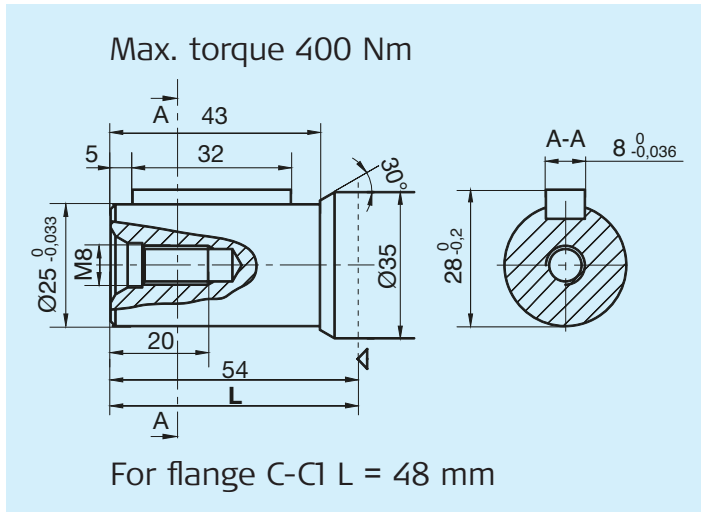
Flow rate l/min	Pressure bar					
	30	50	70	90	100	120
5	152 12					
10	154 24	239 21	349 17			
20	150 49	236 46	340 43	441 41	500 39	614 35
30	146 74	233 72	331 70	438 67	493 65	606 60
40	140 98	227 97	321 95	421 92	481 90	598 85
50	132 122	222 120	315 118	408 116	473 114	583 105
60	128 146	219 144	312 142	400 140	467 139	568 134
70	110 170	211 168	301 166	385 163	462 162	553 156
75	98 182	203 179	292 176	375 174	449 167	545 163

Torque Nm  
Rotational speed min<sup>-1</sup>

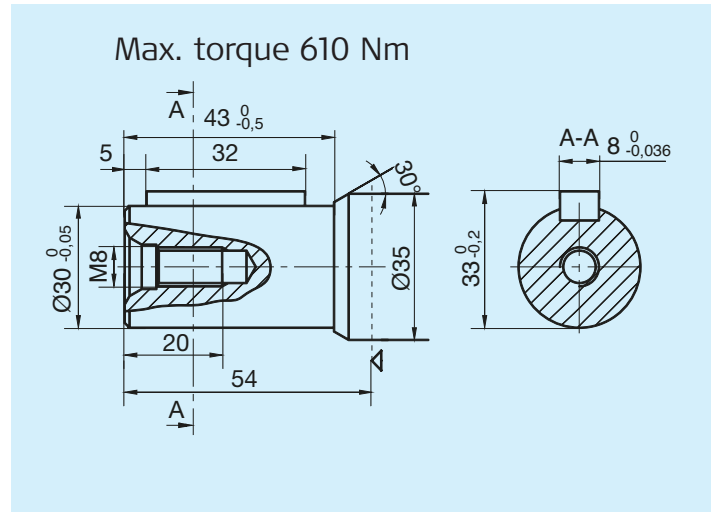
Pressure  
Continuous

Pressure  
Intermittent

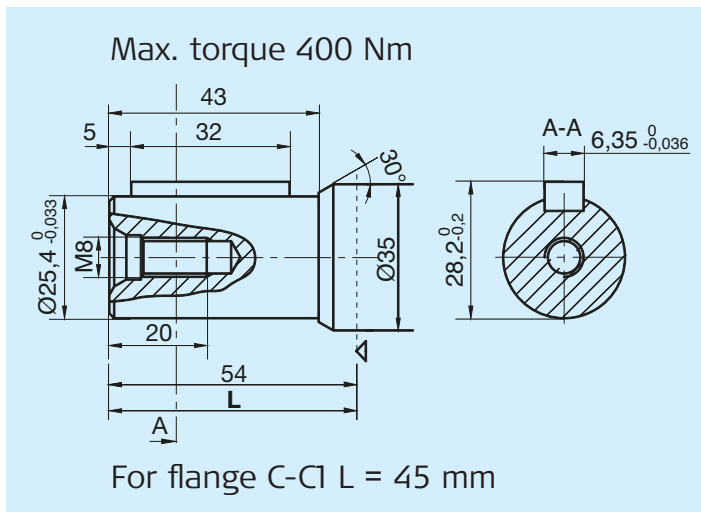
Ø25 key DIN 6885 A 8x7x32 mm



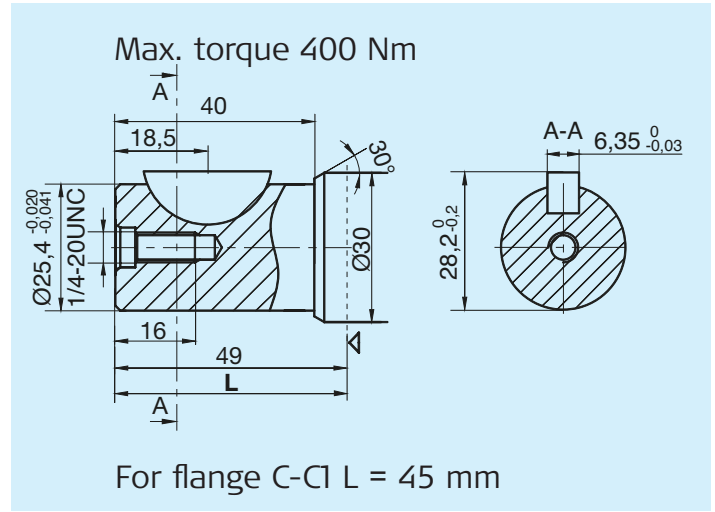
Ø30 key DIN 6885 A 8x7x32 mm



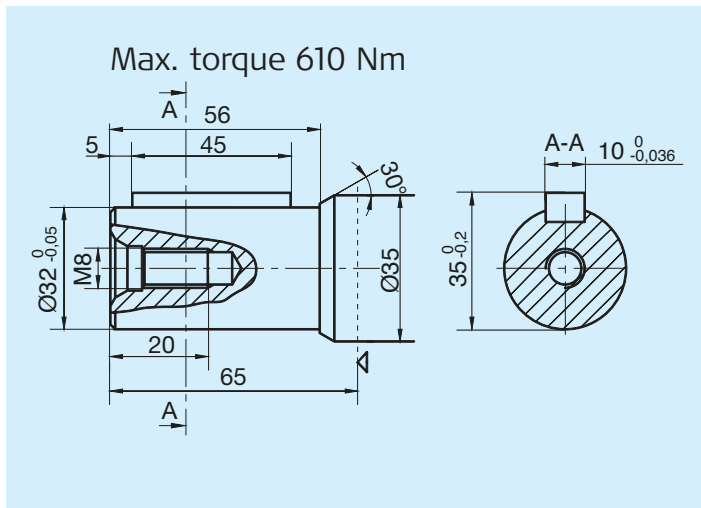
1" EU key BS46 1 1/4"x1 1/4"x1 1/4"



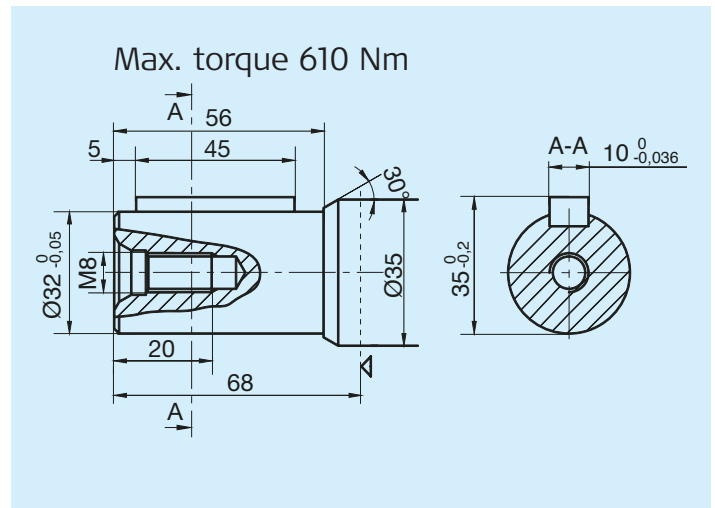
1" US key BS46 1 1/4"



Ø32 key DIN 6885 A 10x8x45 mm

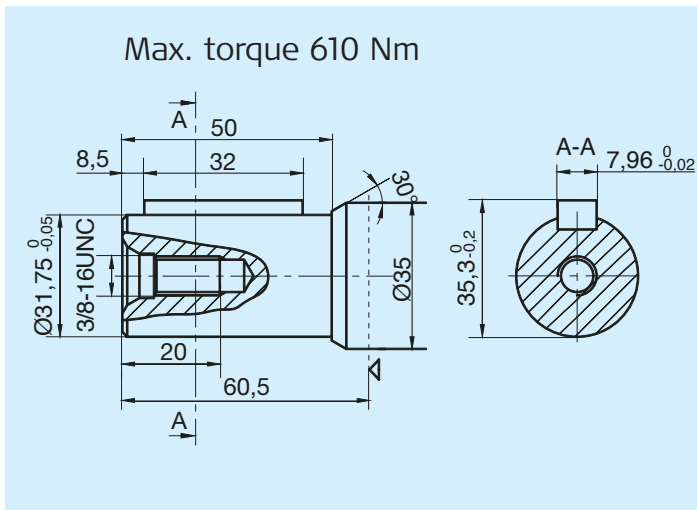


Ø32 key DIN 6885 A 10x8x45 mm

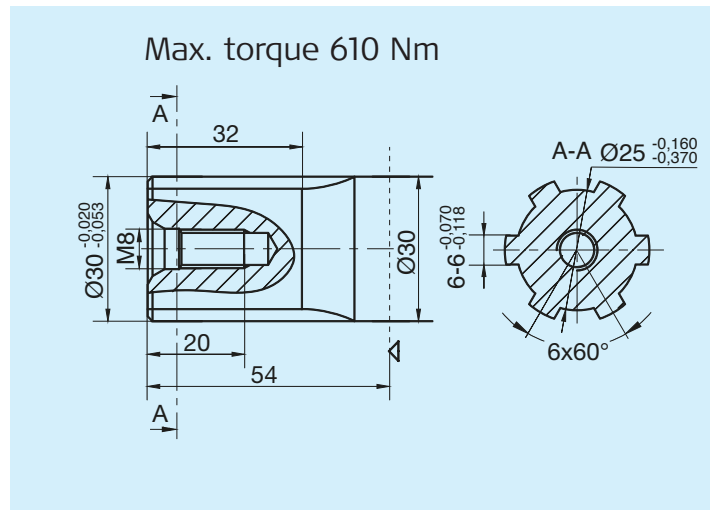


The shafts come with anti-corrosion treatment as standard.

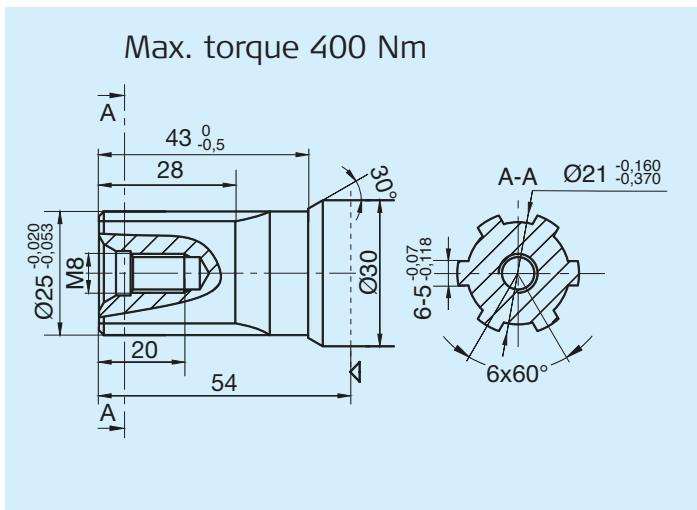
1 1/4" key BS46 5/16"x5/16"x1 1/4"



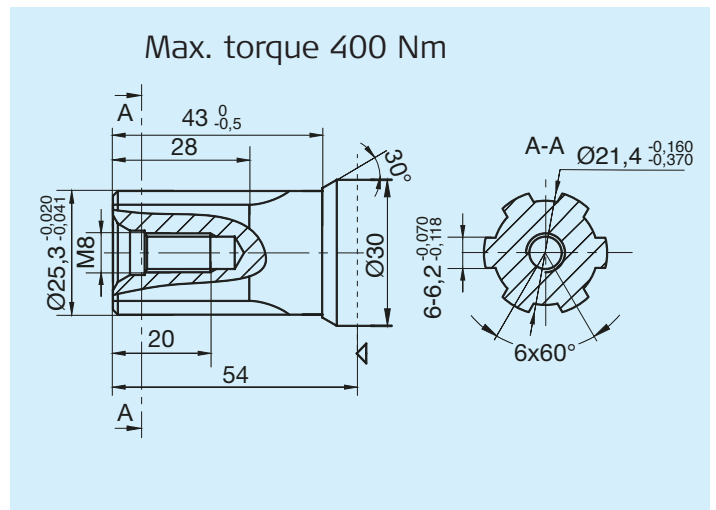
UNI 8953 6x26x30 mm



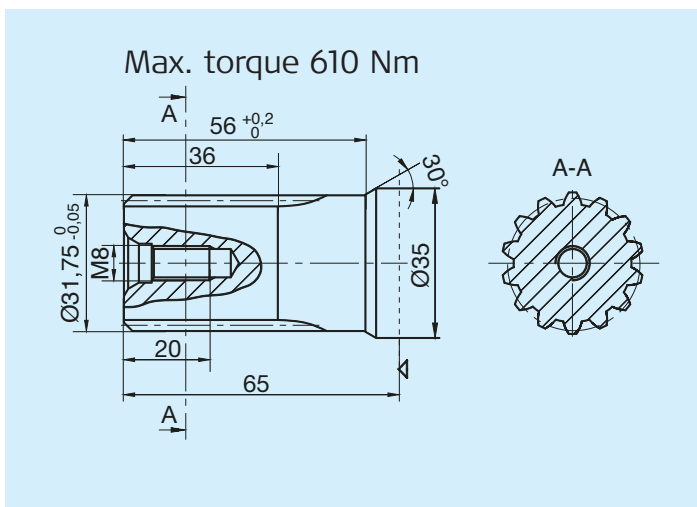
UNI 8953 6x21x25 mm



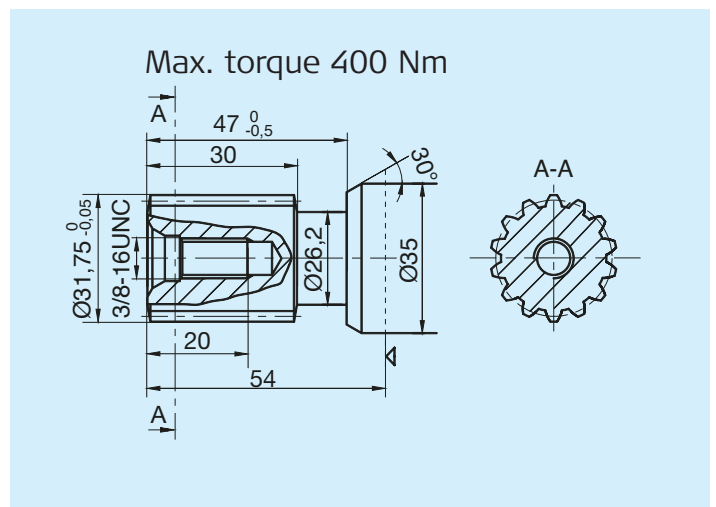
SAE 6 B (BS2059)



ANSI-B92.1 DP12/24 30° Z14

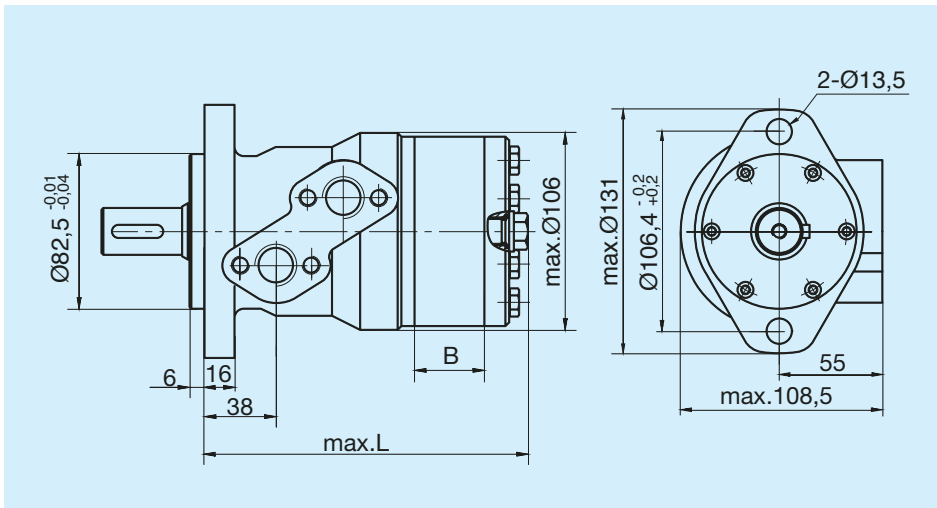


ANSI-B92.1 DP12/24 30° Z14



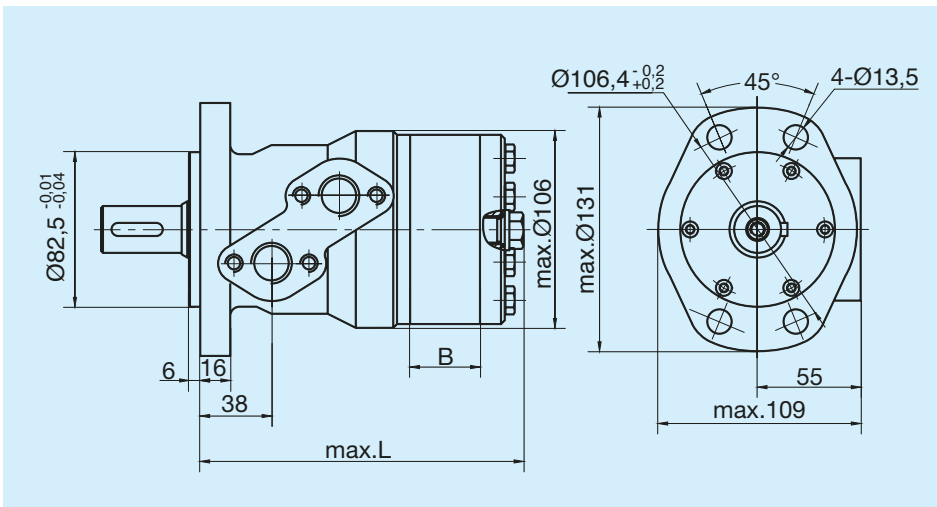
The shafts come with anti-corrosion treatment as standard.

## SAE A 2 hole



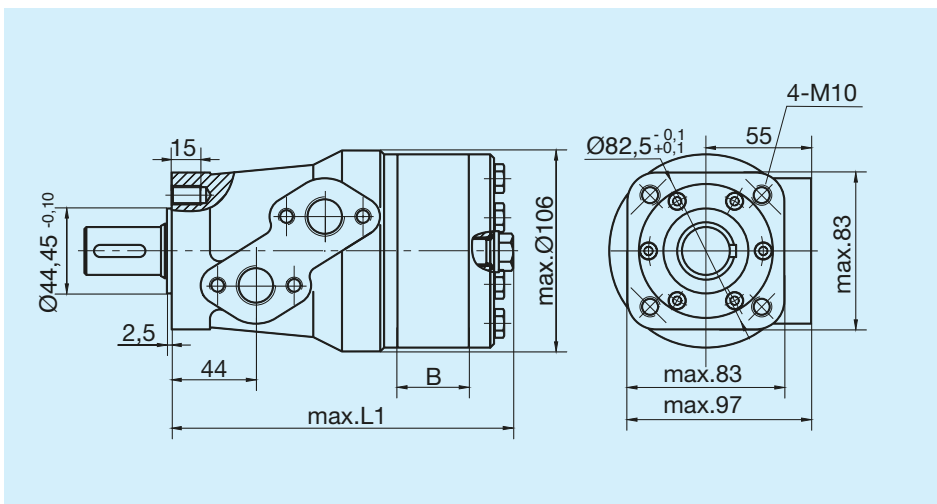
Type	L mm	L1 mm	B mm
<b>050</b>	143	151	9
<b>080</b>	148	156	14
<b>100</b>	151.5	159.5	17.5
<b>125</b>	156	164	22
<b>160</b>	162	170	28
<b>200</b>	169	177	35
<b>250</b>	178	186	44
<b>315</b>	190	198	56
<b>400</b>	204	212	70

## Magneto 4 hole



Type	L mm	L1 mm	B mm
<b>050</b>	143	151	9
<b>080</b>	148	156	14
<b>100</b>	151.5	159.5	17.5
<b>125</b>	156	164	22
<b>160</b>	162	170	28
<b>200</b>	169	177	35
<b>250</b>	178	186	44
<b>315</b>	190	198	56
<b>400</b>	204	212	70

## M56C EU

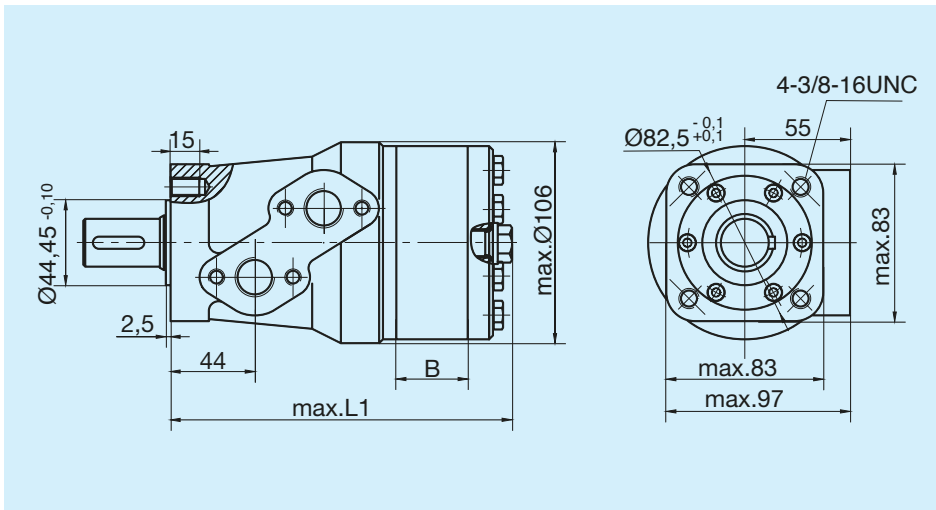


Type	L mm	L1 mm	B mm
<b>050</b>	143	151	9
<b>080</b>	148	156	14
<b>100</b>	151.5	159.5	17.5
<b>125</b>	156	164	22
<b>160</b>	162	170	28
<b>200</b>	169	177	35
<b>250</b>	178	186	44
<b>315</b>	190	198	56
<b>400</b>	204	212	70

The flanges come with anti-corrosion treatment as standard.



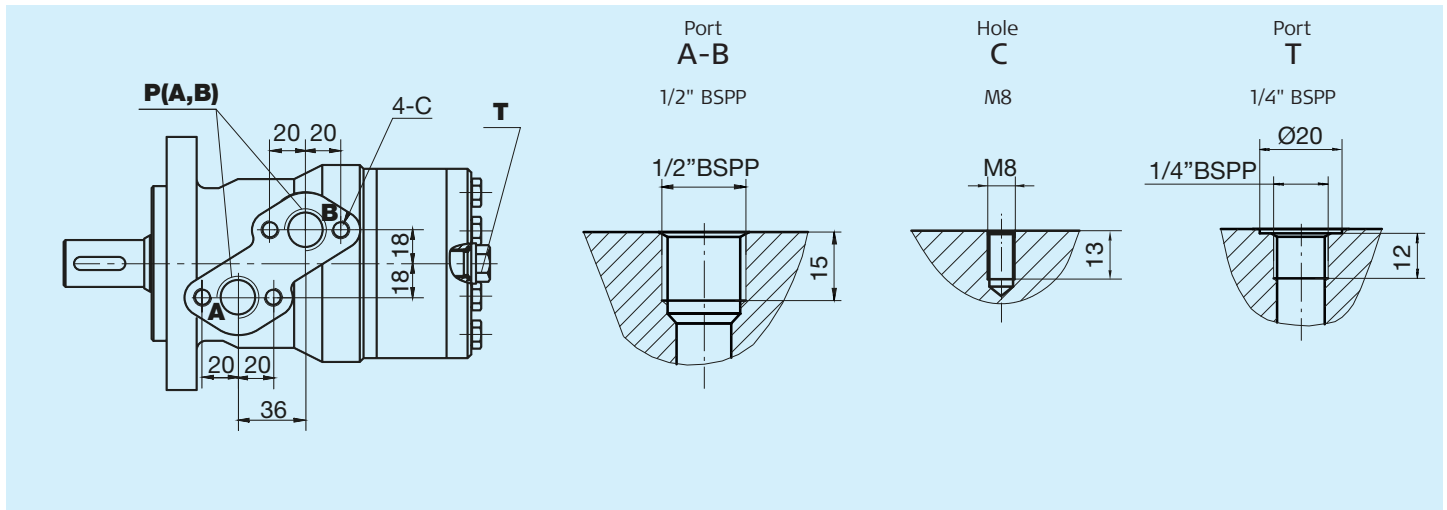
## M56C US



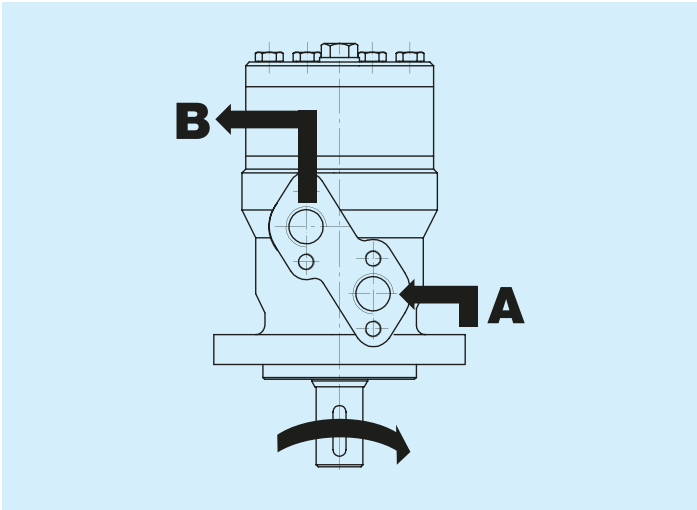
Type	L mm	L1 mm	B mm
<b>050</b>	143	151	9
<b>080</b>	148	156	14
<b>100</b>	151.5	159.5	17.5
<b>125</b>	156	164	22
<b>160</b>	162	170	28
<b>200</b>	169	177	35
<b>250</b>	178	186	44
<b>315</b>	190	198	56
<b>400</b>	204	212	70

The flanges come with anti-corrosion treatment as standard.

With lateral ports



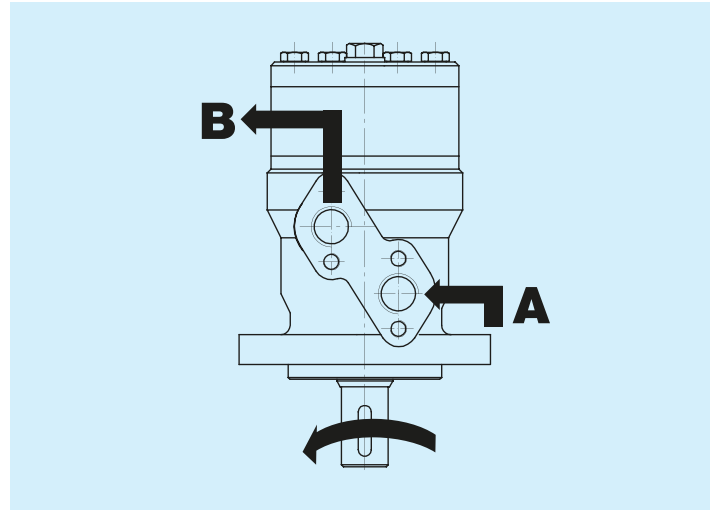
## Standard



When facing the motor shaft, rotation is:

- Clockwise, when port A is pressurised.
- Counterclockwise, when port B is pressurised.

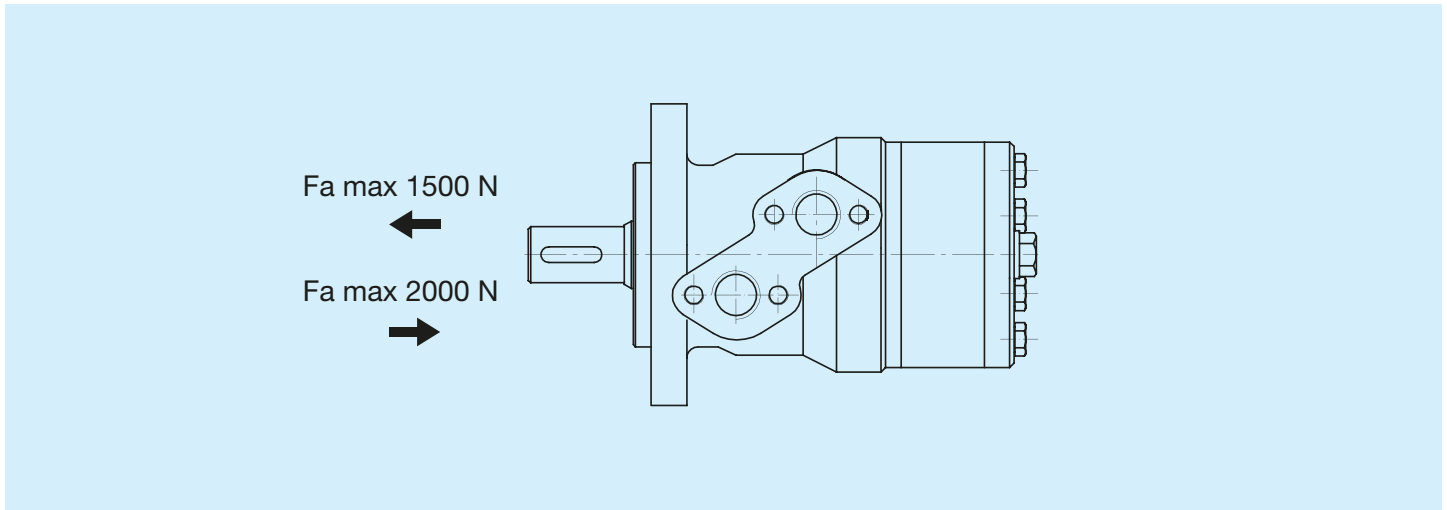
## Reverse



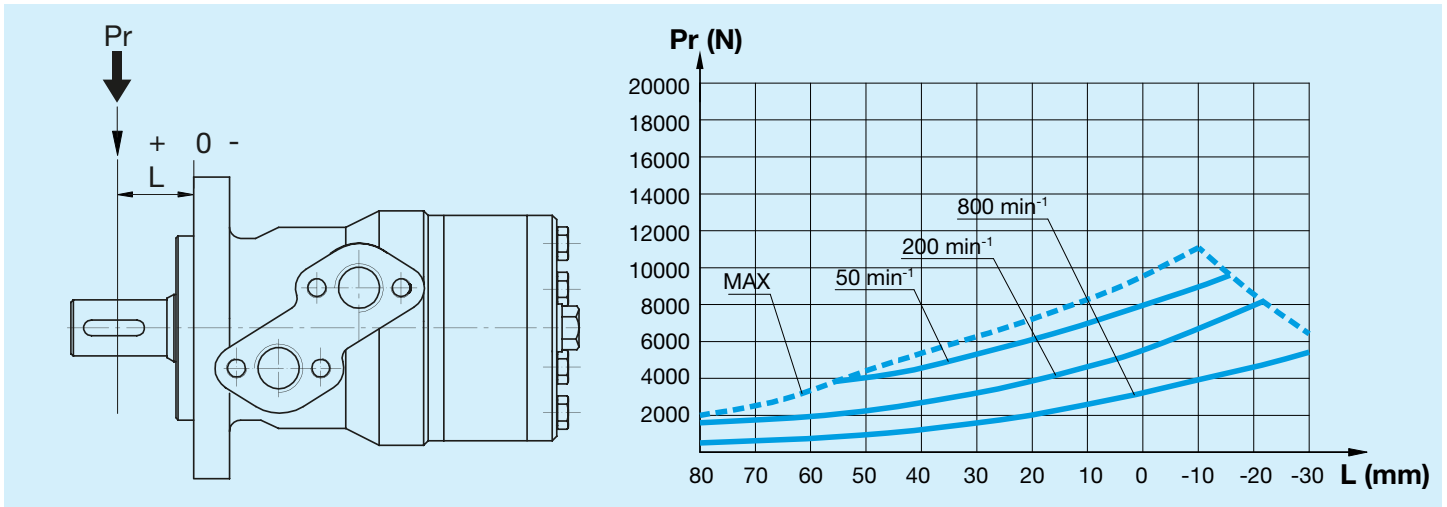
When facing the motor shaft, rotation is:

- Counterclockwise, when port A is pressurised.
- Clockwise, when port B is pressurised.

Axial load



Radial load





Headquarters

## Denmark

---

Bredholm 4  
DK-6100 Haderslev  
infodk@danitech.com  
+45 76 34 23 00

## Germany

---

infode@danitech.com  
+49 (0) 44 88 52 054 52  
+49 (0) 151 53 60 09 79

## Netherlands

---

Energieweg 41A  
NL-2382 NC Zoeterwoude  
infonl@danitech.com  
+31 (0) 715 417 704

## Sweden

---

infose@danitech.com  
+46 (0) 46 23 30 60